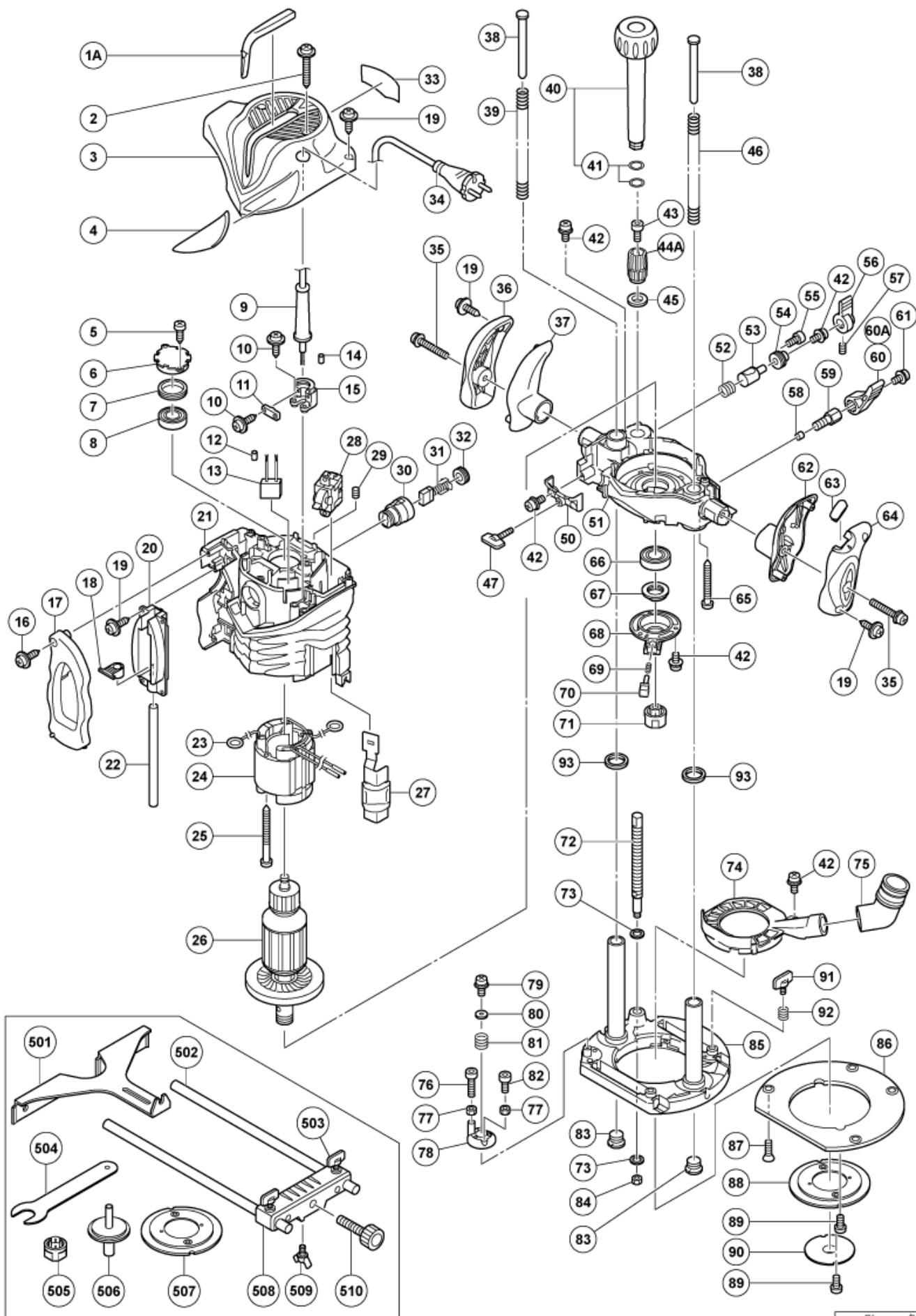


nÂ°	Artikel	Aantal gebruikt
2	305490 TAPPING SCREW D4X30 (W/FLANGE) BLACK	2
3	325168 HEAD COVER	1
5	954017 TAPPING SCREW D4X12	2
6	325226 BEARING BUSHING	1
7	325184 RUBBER RING	1
8	6200VV BALL BEARING 6200VVCMP52L	1
9	938051 CORD ARMOR D10.1	1
9	953327 CORD ARMOR D8.8	1
11	937631 CORD CLIP	1
12	961820 TUBE (D) (OLD 961820Z)	2
13	930039 NOISE SUPPRESSOR	1
14	981373 TUBE (D)	2
16	302086 TAPPING SCREW D4X20 (W/FLANGE) BLACK	1
17	325170 FRONT COVER (B)	1
18	325198 MARKER	1
19	305812 TAPPING SCREW (W/FLANGE) D4X16 (BLACK)	1
20	325197 POLE HOLDER	1
21	325219 HOUSING ASS'Y	1
22	325196 STOPPER POLE	1
23	958032 BRUSH TERMINAL (OLD 958032Z)	2
24	340668G STATOR ASS'Y 230 VOLT	1
25	961400 HEX.HD. TAPPING SCREW D5X70	2
26	360750U ARMATURE 110-120 VOLT	1
26	360750E ARMATURE 220-230 VOLT	1
27	325960 LEVER	1
28	301821 SWITCH (2P PILLAR TYPE) W/O LOCK	1
29	938477 HEX.SOCKET SET SCREW M5X8	2
30	980487 BRUSH HOLDER	2
31	999044 CARBON BRUSH (1 PAIR)	2
32	940540 BRUSH CAP	2
34	500461Z CORD 3M 2 X 1,0 H05VV-F W/PLUG 16A CEE FORM 2P+E FOR GBR	1
34	500435Z CORD 2,5M 2 X 1.0 H05VV-F W/PLUG 13A/250V GBR	1
35	307443 SCREW M6X30 (BLACK)	2
36	325220 HANDLE (LEFT) (B)	1
37	325171 HANDLE (LEFT) (A)	1
38	325180 SPRING GUIDE	2
39	325177 PLUNGE SPRING (R)	1
40	325214 ADJUSTING KNOB ASS'Y	1

nÂ°	Artikel	Aantal gebruikt
42	935196 MACHINE SCREW (W/WASHERS) M4X12 (BLACK)	8
43	984509 SEAL LOCK HEX. SOCKET HD. BOLT M5X14 (OLD 315636)	1
44A	325194 KNOB(C)	1
45	325195 GUIDE SLEEVE	1
46	325176 PLUNGE SPRING (L)	1
47	301801 WING BOLT M6X27	1
50	325173 FRONT COVER (C)	1
52	325193 SPRING	1
53	325192 SPECIAL NUT TR12	1
54	325191 SPECIAL BOLT M20	1
55	949811 HEX.SOCKET HD.BOLT M4X8 (10 PCS)	1
56	325190 LEVER (B)	1
57	985033 HEX SOCKET SET SCREW M6X6	1
58	971848 LOCK PIECE	1
59	325187 LOCK SCREW	1
60A	323923 LEVER (A)	1
60	326042 LEVER (A)	1
61	997314 MACHINE SCREW (OLD 303405)	1
62	325172 HANDLE (RIGHT) (A)	1
63	325227 DIAL COVER	1
64	325221 HANDLE (RIGHT) (B)	1
65	307100 TAPPING SCREW D5X50	4
66	6004VV BALL BEARING 6004VVCMP2S	1
67	325186 THRUST NUT	1
68	325185 BEARING COVER (OLD 326082)	1
69	325183 LOCK SPRING	1
70	325182 PUSHING BUTTON	1
71	323421 COLLET CHUCK 1/2"	1
71	325199 COLLET CHUCK 12MM	1
72	325189 SPECIAL BOLT TR12	1
73	325188 WASHER	2
74	325210 DUST GUIDE	1
76	949662 HEX.SOCKET HD BOLT M5X25 (10 PCS)	1
77	302012 NUT M5 (BLACK)	2
78	325181 STOPPER BLOCK	1
79	317200 MACHINE SCREW M8X4 (W/WASHERS) (BLACK)	1
80	962569 WASHER (B) (OLD 976448)	1
81	971858 SPRING (A) (OLD 971858Z)	1

nÂ°	Artikel	Aantal gebruikt
82	949765 HEX.SOCKET HD.BOLT M5X12 (10 PCS) (OLD 949765Z)	1
83	325178 STOPPER BOLT	2
84	949558 NUT M8 (10 PCS.)	1
85	325206 BASE	1
86	325179 SUB BASE	1
87	992013 SEAL LOCK FLAT HD. SCREW M5X14	4
88	325211 TEMPLATE GUIDE ADAPTER	1
89	949234 MACHINE SCREW M5X6 (10 PCS)	4
90	956790 TEMPLATE GUIDE D18	1
92	947859 LOCK SPRING (OLD 996224)	2
93	323426 FELT	2
501	956797 STRAIGHT GUIDE	1
502	325216 GUIDE BAR (A)	2
503	301806 WING BOLT M6X15	2
504	323295 WRENCH 23MM	1
505	323293 COLLET CHUCK 1/4"	1
505	325212 COLLET CHUCK 8MM	1
506	325213 CENTERING GAUGE MM	1
506	325223 CENTERING GAUGE INCH	1
508	325217 BAR HOLDER	1
509	949394 WING BOLT M6X10 (10 PCS.)	1
510	956793 FEED SCREW	1
602	956802 DOUBLE FLUSH TRIMMING BIT (TCT) D8X8	1
603	956801 DOUBLE FLUSH TRIMMING BIT (TCT) D6X6	1
605	956805 FLUSH TRIMMING BIT (TCT) D8X8	1
611	956813 ROUND OVER BIT (TCT) D12XR8X24	1
617	956928Z CHUCK SLEEVE 1/2"X3/8"	1
618	956931Z CHUCK SLEEVE 1/2"X10	1
619	956759 CHUCK SLEEVE 1/2"X8	1
621	303347 TEMPLATE GUIDE D9.5	1
622	303348 TEMPLATE GUIDE D10	1
623	303349 TEMPLATE GUIDE D11.1	1
624	303350 TEMPLATE GUIDE D12	1
625	303351 TEMPLATE GUIDE D12.7	1
626	303352 TEMPLATE GUIDE D14	1
628	303353 TEMPLATE GUIDE D16	1
629	956932 TEMPLATE GUIDE D20	1
632	303354 TEMPLATE GUIDE D24	1

nÂ°	Artikel	Aantal gebruikt
633	956933 TEMPLATE GUIDE D27	1
634	956934 TEMPLATE GUIDE D30	1
635	303355 TEMPLATE GUIDE D40	1
636	956794 TRIMMER GUIDE	1



Rev.4

形名
M12SA2