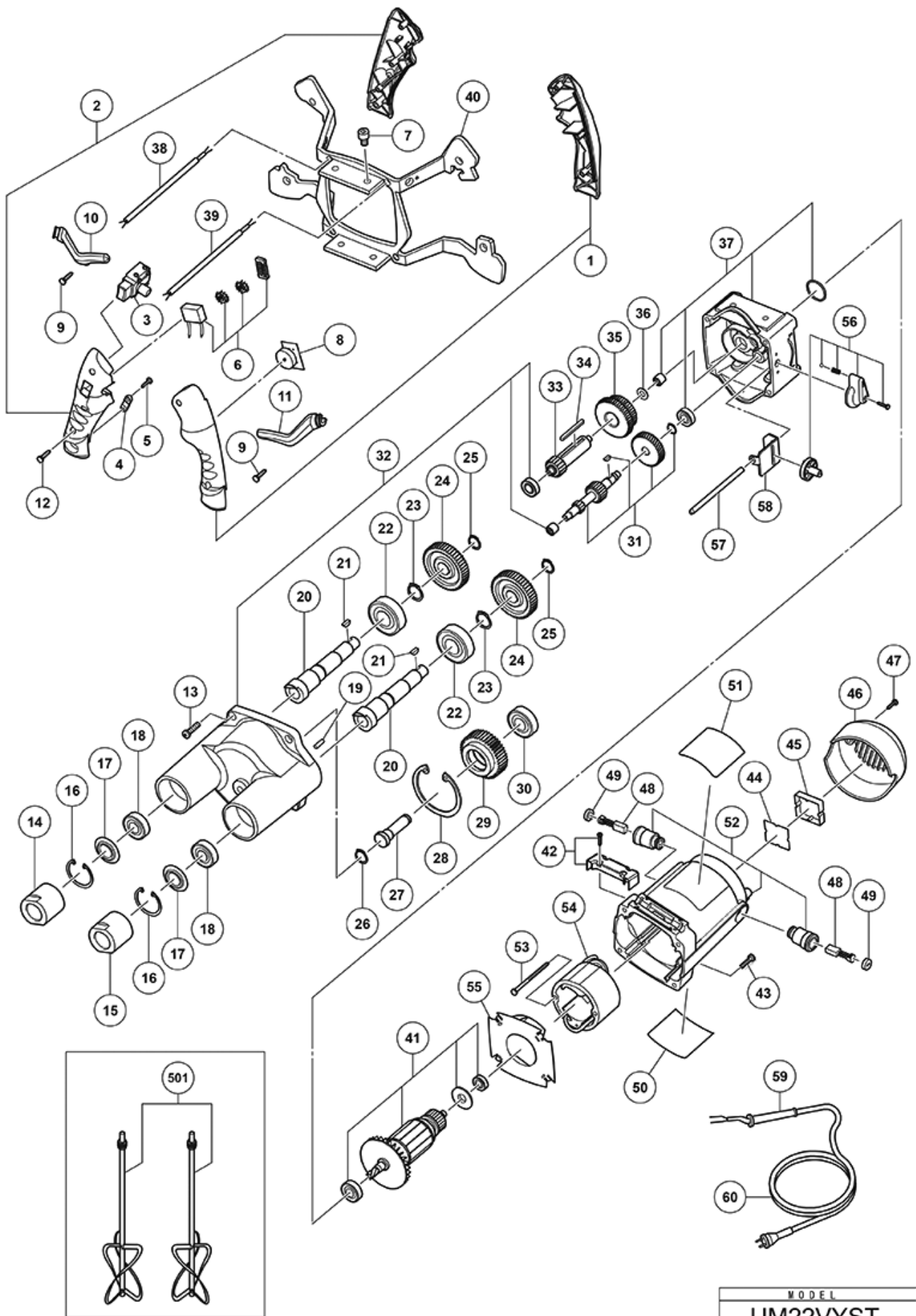


| nÂ° | Artikel | Aantal gebruikt |
|-----|------------------------------------|-----------------|
| *60 | 333637 CORD (NEW 714500) | 1 |
| 1 | 375046 HANDLE ASS'Y (L) NEW | 1 |
| 2 | 375047 HANDLE ASS'Y (R) NEW | 1 |
| 3 | 375067 SWITCH NEW | 1 |
| 4 | 333609 CLAMP | 1 |
| 5 | 375060 SCREW ST4.2X12 (2 PCS.) NEW | 2 |
| 6 | 375058 INDUCTANCE UNIT NEW | 1 |
| 7 | 375056 SCREW M8X14 (4 PCS.) NEW | 4 |
| 8 | 375068 CIRCUITRY BOARD NEW | 1 |
| 9 | 375059 SCREW ST3X14 (2 PCS.) NEW | 2 |
| 10 | 375049 WIRING GROOVE (R) NEW | 1 |
| 11 | 375048 WIRING GROOVE (L) NEW | 1 |
| 12 | 375053 SCREW ST3.9X16 (6 PCS.) NEW | 6 |
| 13 | 333615 SCREW M5X20 (4 PCS) | 4 |
| 14 | 375083 SLEEVE (R) NEW | 1 |
| 15 | 375084 SLEEVE (L) NEW | 1 |
| 16 | 375091 SHAFT RING D40 NEW | 2 |
| 17 | 375092 DUST COVER NEW | 2 |
| 18 | 375094 BEARING 6203RS NEW | 2 |
| 19 | 333620 PIN | 2 |
| 20 | 375086 SPINDLE NEW | 2 |
| 21 | 375087 KEY NEW | 2 |
| 22 | 375093 BEARING 6002Z NEW | 2 |
| 23 | 375088 SHAFT RING D17 NEW | 2 |
| 24 | 375089 SPINDLE GEAR NEW | 2 |
| 25 | 375090 SHAFT RING D12 NEW | 2 |
| 26 | 375075 SHAFT RING D9 NEW | 1 |
| 27 | 375077 SHAFT NEW | 1 |
| 28 | 375078 SHAFT RING D26 NEW | 1 |
| 29 | 375079 GEAR NEW | 1 |
| 30 | 375080 BEARING 6000Z NEW | 1 |
| 31 | 375102 SECOND PINION ASS'Y NEW | 1 |
| 32 | 375085 BEARING COVER ASS'Y NEW | 1 |
| 33 | 375095 PINION NEW | 1 |
| 34 | 375096 PARALLEL KEY NEW | 1 |
| 35 | 375097 DOUBLE GEAR NEW | 1 |
| 36 | 375098 WASHER M16 NEW | 1 |
| 37 | 375076 GEAR BOX ASS'Y NEW | 1 |

| nÂ° | Artikel | Aantal gebruikt |
|-----|------------------------------------|-----------------|
| 38 | 375682 CABLE 0.75 (5 PCS.) NEW | 5 |
| 39 | 375050 CABLE 3X0.5X0.23 NEW | 1 |
| 40 | 375057 HOB NEW | 1 |
| 41 | 375081 ARMATURE ASS'Y NEW | 1 |
| 42 | 375055 CABLE COVER ASS'Y NEW | 1 |
| 43 | 333630 SCREW M5X25 (4 PCS) | 4 |
| 44 | 375069 CONTROLLER NEW | 1 |
| 45 | 333634 PROTECTIVE GUARD UM16VST | 1 |
| 46 | 333635 REAR COVER UM16VST | 1 |
| 47 | 375061 SCREW ST3.5X16 (2 PCS.) NEW | 2 |
| 48 | 375072 CARBON BRUSH (2 PCS.) NEW | 2 |
| 49 | 333632 BRUSH CAP (2 PCS) UM16VST | 2 |
| 52 | 375071 MOTOR BOX ASS'Y NEW | 1 |
| 53 | 375070 SCREW ST5X65 (2 PCS.) NEW | 2 |
| 54 | 375101 STATOR UM22VYST NEW | 1 |
| 55 | 375054 AIR GUIDE SHIM NEW | 1 |
| 56 | 375082 LEVER ASS'Y NEW | 1 |
| 57 | 375099 PIVOT D6X90 NEW | 1 |
| 58 | 375100 COULISSE NEW | 1 |
| 59 | 333636 SLEEVE | 1 |
| 501 | 375615 STIRRER SET (R/L) | 1 |



Rev.1

MODEL
UM22VYST