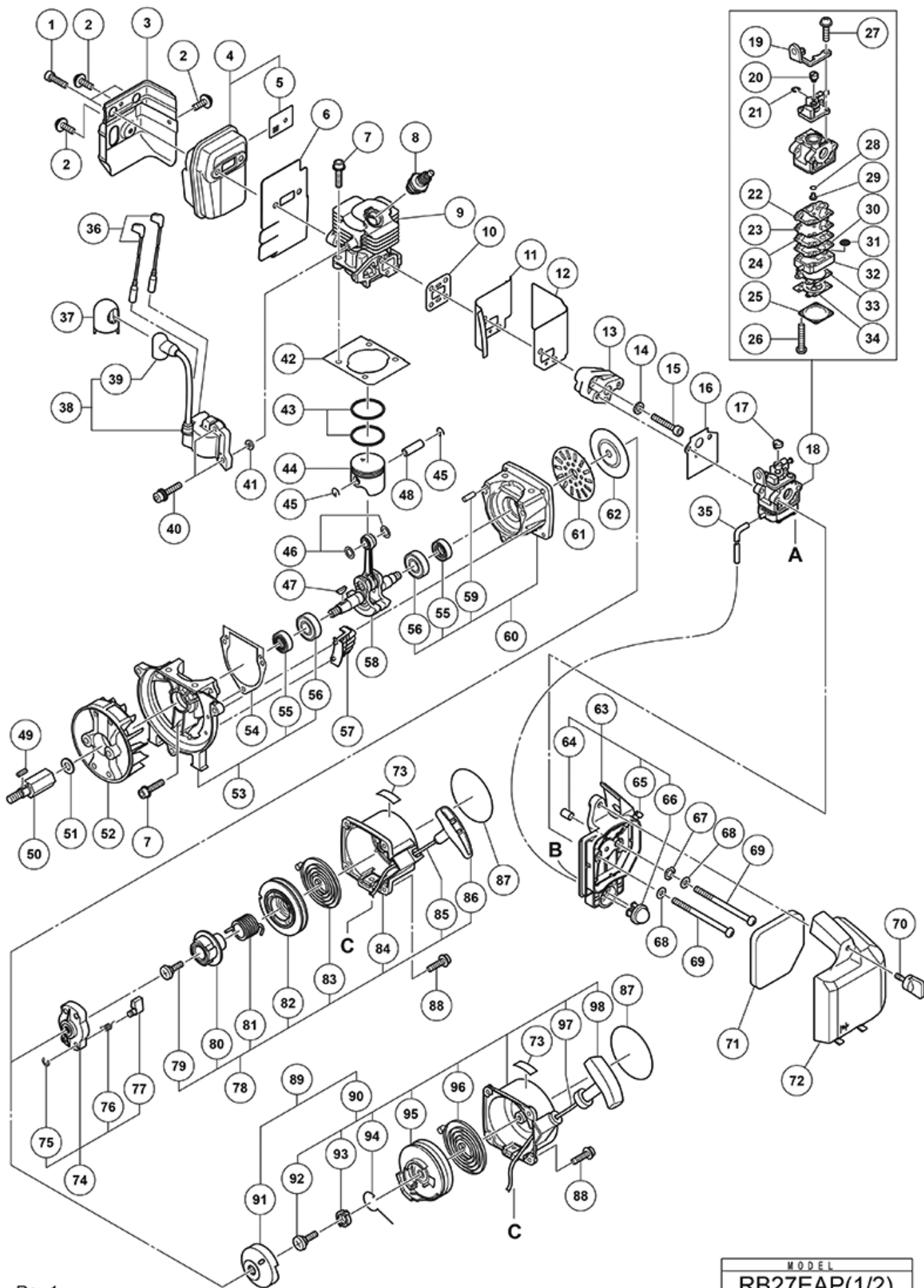


nÂ°	Artikel	Aantal gebruikt
1	6600518 SEAL LOCK HEX. SOCKET HD. BOLT M6X16 NEW	2
2	6601439 MACHINE SCREW M4X8 (W/WASHERS) BLACK NEW	3
3	6601510 HEAT SHIELD	1
4	6601488 MUFFLER ASS'Y	1
5	6601438 SPARK ARRESTER NEW	1
6	6601492 HEAT PROTECTION PANEL	1
7	6601339 HEX. SOCKET HD. BOLT M5X22 (W/SP.WASHER) NEW	7
8	6600542 IGNITION PLUG (TORCH L7RTC) NEW	1
9	6600903 CYLINDER N27 NEW	1
11	6601490 AIR DEFLECTOR	1
12	6601593 DEFLECTOR PACKING NEW	1
13	6601491 CARBURETOR INSULATOR	1
14	6600910 SPRING WASHER D6 NEW	2
15	6601358 SEAL LOCK HEX. SOCKET HD. BOLT M6X27 NEW	2
16	6698405 CARBURETOR PACKING	1
17	6691337 SWIVEL CAP (OLD 560-07120-21/6684628)	1
18	6601487 CARBURETOR ASS'Y	1
19	6699287 CABLE ADJUST STAY NEW	1
20	6696830 SWIVEL NEW DEC	1
21	6684696 STOP RING (OLD 489-25100-20)	1
22	6684692 PUMP GASKET (OLD 577-25292-20/6696321)	1
23	6684693 PUMP DIAPHRAGM (OLD 576-25100-20/6696325)	1
24	6691242 PUMP PLATE (OLD 523-25100-20)	1
25	6685222 DIAPHRAGM COVER-METERING	1
26	6691312 SET SCREW (OLD 548-25101-20)	4
27	6696829 SET SCREW M3X12 NEW	2
28	6684695 O-RING (OLD 550-25100-20)	1
30	6691234 CIRCUIT PLATE (OLD 522-25100-20)	1
31	6684700 INLET SCREEN	1
32	6696828 PUMP BODY	1
33	6685220 DIAPHRAGM PACKING-METERING	1
34	6684690 METERING DIAPHRAGM	1
35	6601444 FUEL PIPE NEW	1
36	6601505 CORD	2
37	6601598 PLUG CAP COVER NEW	1
38	6698397 IGNITION COIL ASS'Y	1
40	6698388 HEX. SOCKET HD. BOLT M4X18 (W/WASHERS)	2
41	6698700	2

nÂ°	Artikel	Aantal gebruikt
42	6600510 CYLINDER PACKING NEW	1
43	6601353 PISTON RING NEW	2
44	6600905 PISTON (M) NEW	1
45	6684590 PISTON PIN CIRCLIP (OLD 039-00601-20/6686034)	2
46	6600909 SHIM NEW	2
47	6601343 WOODRUFF KEY 3X13X4.5 NEW	1
48	6601344 PISTON PIN NEW	1
49	937177 FEATHER KEY 3X3X12	1
50	6601594 SPECIAL BOLT (A) NEW	1
51	323212 BOLT WASHER M8 (BLACK)	1
52	6699289 MAGNETO ROTOR ASS'Y NEW	1
53	6601619 CRANK CASE (F) ASS'Y NEW	1
54	6600514 CRANK CASE PACKING NEW	1
55	6684607 OIL SEAL TB 12227 (OLD 999-66122-200/6695624)	2
56	6684608 BALL BEARING 6001 C3 (OLD 999-61600-132/6695535)	2
57	6600924 CRANK CASE GUARD NEW	1
58	6601624 CRANK SHAFT NEW	1
59	6696947 KNOCK PIN 4X12	2
60	6601620 CRANK CASE (R) ASS'Y NEW	1
61	6601625 RECOIL FAN (A) NEW	1
62	6601626 RECOIL FAN (B) NEW	1
63	6600911 AIR CLEANER BASE ASS'Y NEW	1
64	6601340 COLLAR M5 NEW	1
65	6601341 CHOKE VALVE NEW	1
66	6685139 PRIMING PUMP COMP.	1
67	334242 WAVE WASHER 8 NEW	1
68	6685407 D5 BOLT WASHER	2
69	6601592 SCREW M5X55 NEW	2
70	6601509 COVER SETTING BOLT	1
71	6600529 AIR CLEANER ELEMENT NEW	1
72	6601484 AIR CLEANER COVER	1
73	6698921 TANK MARK LABEL (50:1)	1
74	6684681 STARTER PULLEY ASS'Y (OLD 798-0651H-90)	1
75	6685101 D4E RETAINING RING (OLD 993-55040-001)	1
76	6684684 STARTER PAWL SPRING (OLD 790-06097-20)	2
77	6684685 STARTER PAWL (OLD 788-0651H-20)	2
78	6601570 RECOIL STARTER BODY ASS'Y NEW	1
79	6684679 SET SCREW (OLD 839-03045-20)	1

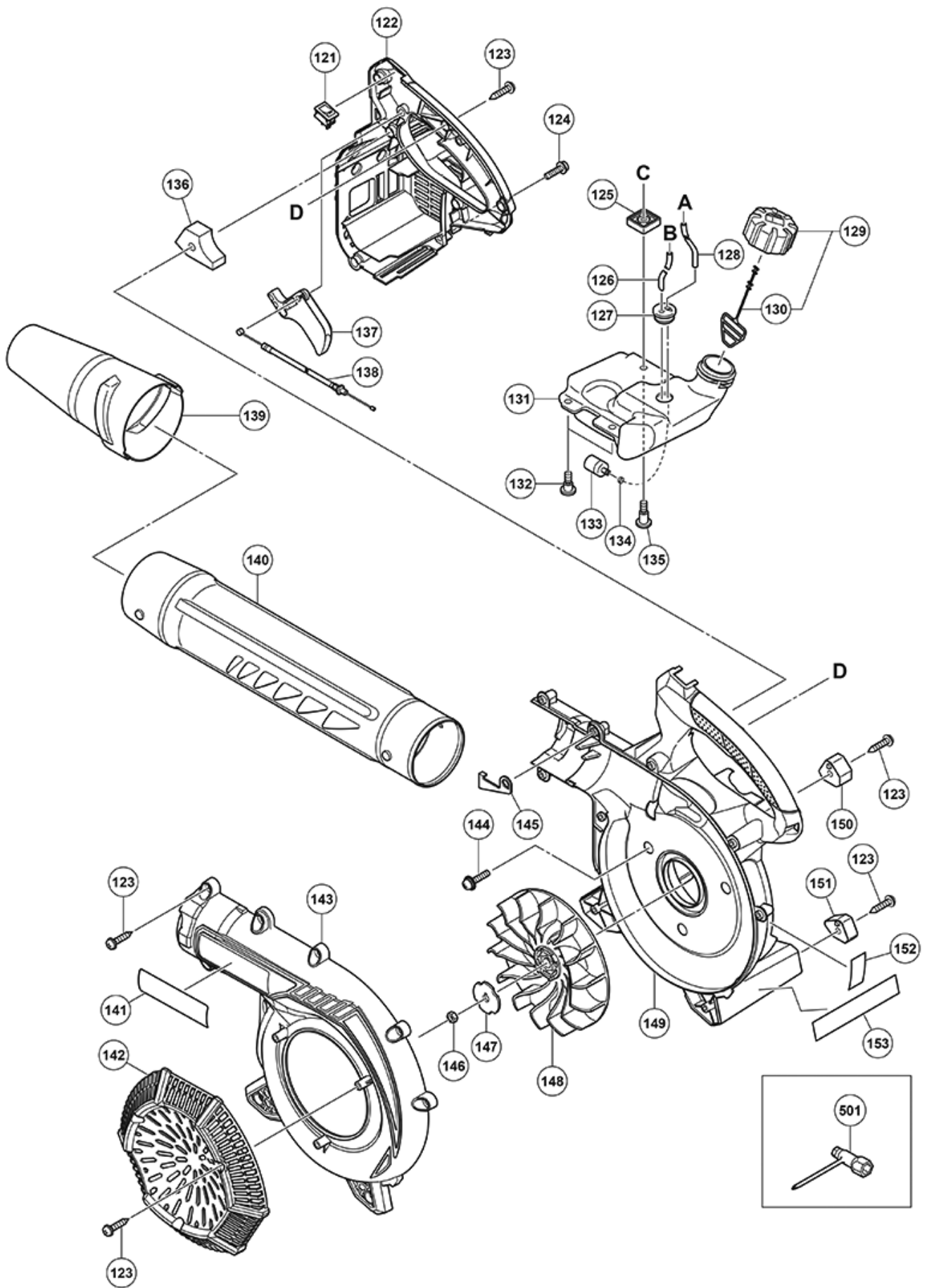
nÂ°	Artikel	Aantal gebruikt
80	6699996 CAM PLATE	1
81	6684677 DUMPER SPRING (OLD 758-0651H-20)	1
82	6699997 STARTER ROPE REEL	1
83	6684675 RECOIL SPRING (OLD 780-06097-20/6697591)	1
84	6684673 RECOIL STARTER BODY COMP. (OLD 772-07350-80)	1
85	6684674 STARTER ROPE 3.5X860 (OLD 783-0720F-20/6697590)	1
86	6684680 STARTER HANDLE (OLD 785-03045-20)	1
89	6600408	1
90	6600406 RECOIL ASS'Y	1
91	6600407 STARTER PULLEY NEW	1
92	6600404 RECOIL SET SCREW NEW	1
93	6600402 SWING ARM HOLDER NEW	1
94	6600401 SWING ARM NEW	1
95	6600405 RECOIL REEL	1
96	6600403 RECOIL SPRING NEW	1
97	6600400 RECOIL ROPE 3X800 NEW	1
98	6600399 RECOIL HANDLE NEW	1
121	6601275 STOP SWITCH NEW	1
122	6601482 MUFFLER PROTECTOR (VERMILION)	1
123	302089 TAPPING SCREW (W/FLANGE) D5X20 (BLACK)	20
124	6601591 HEX. SOCKET HD. BOLT M4X14 (W/FLANGE) NEW	4
125	6699558 SPACER NEW	1
126	6699014 FUEL PIPE L70	1
127	6600358 FUEL GROMMET	1
128	6600521 FUEL PIPE L140 NEW	1
128	6600522 FUEL PIPE L140 NEW	1
129	6698402 FUEL TANK CAP ASS'Y	1
130	6698732 TANK CAP CHAIN	1
131	6600519 TANK NEW	1
131	6600520 TANK NEW	1
132	6696574 BOLT (W/FLANGE)	2
133	6600351 PUMP FILTER ASS'Y	1
134	6696949 CLIP	1
135	6698512 BOLT L23.8 (W/FLANGE) (OLD 6698392)	1
136	6601623 HEAT PROTECTION SPONGE NEW	1
137	6698391 THROTTLE LEVER	1
138	6698399 THROTTLE WIRE COMP.	1
139	6698394 NOZZLE (B)	1

nÂ°	Artikel	Aantal gebruikt
140	6601600 NOZZLE (A) NEW	1
142	6601486 GUARD NET (A)	1
143	6601477 VOLUTE CASE (A) VERMILION	1
144	6600920 MACHINE SCREW (W/WASHERS) M5X18 NEW	3
145	6601501 STOPPER PLATE (A)	1
146	6684932 U-NUT M8 (OLD 991-74080-010)	1
147	6601627 WASHER (A) NEW	1
148	6601485 FAN	1
149	6601479 FAN CASE (VERMILION)	1
150	6601595 WEIGHT (F) NEW	1
151	6601629 WEIGHT (R) NEW	1
501	6684764 BOX WRENCH (HEX. SOCKET 17/19)	1
601	6699184 FLAT NOZZLE	1



Rev.1

MODEL  
RB27EAP(1/2)



MODEL  
**RB27EAP(2/2)**

Rev.1