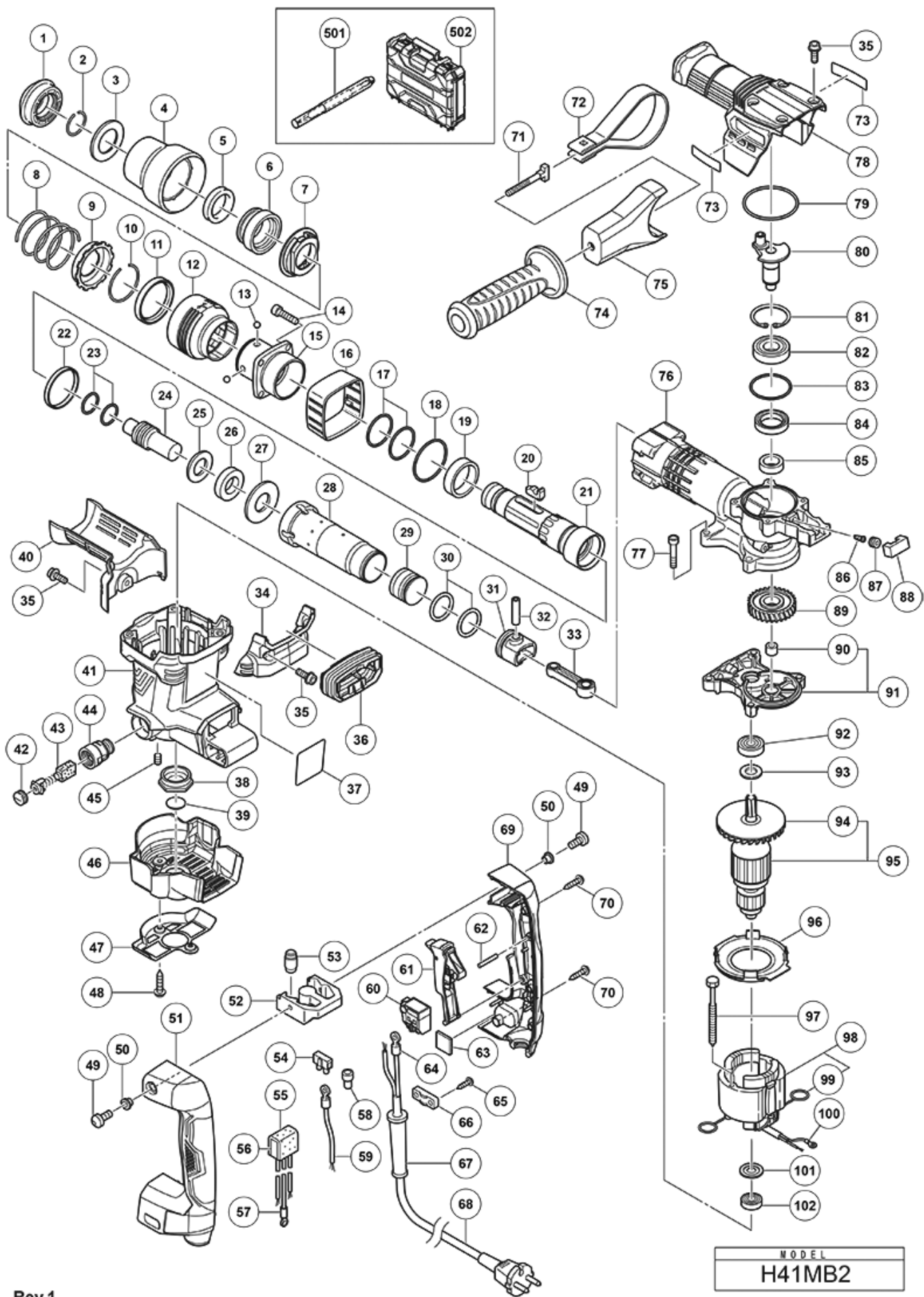


nÂ°	Artikel	Aantal gebruikt
*95	361080E ARMATURE ASS'Y 220V-230V	1
*95	361080F ARMATURE ASS'Y 240V	1
*95	361080C ARMATURE ASS'Y 110V	1
	OPTIONAL ACCESSORIES	0
*95	361080D ARMATURE ASS'Y 127V	1
*98	340995F STATOR ASS'Y 240V	1
*98	340995E STATOR ASS'Y 220V-230V	1
*98	340995G STATOR ASS'Y 120V	1
*98	340995H STATOR ASS'Y 110V	1
*98	340995D STATOR ASS'Y 127V	1
*98	340995C STATOR ASS'Y 110V	1
*98	340995J STATOR ASS'Y 220V-230V	1
*68	500434Z CORD	1
*95	361080U ARMATURE ASS'Y 120V	1
*68	500390Z CORD 5M 2 X 1.5 FOR HOL (NEW 714520)	1
*67	940778 CORD ARMOR D10.7	1
*43	999043 CARBON BRUSH (1 PAIR)	1
*43	999073 CARBON BRUSH A.S. TYPE (OLD 981612Z)	1
	STANDARD ACCESSORIES	0
*67	958049 CORD ARMOR D8.2 (OLD 958049Z)	1
*64	930804 TERMINAL M4.0 (10 PCS.)	1
*68	500477Z CORD	1
*68	500408Z CORD	1
*68	500465Z CORD 4M 2 X 1.0 H07RN-F W/PLUG 16A CEE FORM 2P+E 110 VOLT	1
*68	500457Z CORD	1
*68	500446Z CORD FOR GBR 230V	1
*68	500235Z CORD 5M 2 X 1.0 FOR EUROPE (NEW 714500)	1
1	337562	1
2	318590 STOPPER RING	1
3	370172 RETAINER WASHER	1
4	370173 GRIP	1
5	337559 RETAINER DAMPER (A)	1
6	337558 BIT LOCK HOLDER	1
7	370242 SPRING HOLDER (A)	1
8	370243 RETAINER SPRING	1
9	370244 SPRING HOLDER (B)	1
10	333255 STOPPER RING	1
11	373288 BALL HOLDER	1

nÂ°	Artikel	Aantal gebruikt
12	373279 GRIP (B)	1
13	959150 STEEL BALL D6.35 (10 PCS.)	4
14	981942 PACKING BOLT	4
15	373280 FRONT COVER	1
16	373236 TOP COVER	1
17	980879 O-RING (S-34)	2
18	373251 O-RING (I.D 44.5)	1
19	373281 RETAINER DAMPER (B)	1
20	370654 BIT LOCK NEW	2
21	373284 RETAINER SLEEVE	1
22	373249 DAMPER (C)	1
23	313396 O-RING (C)	2
24	373285 SECOND HAMMER	1
25	373286 DAMPER WASHER	1
26	321289 DAMPER	1
27	373287 DAMPER HOLDER	1
28	374774 CYLINDER	1
29	373283 STRIKER	1
30	320823 O-RING	2
31	320824 PISTON	1
32	373256 PISTON PIN	1
33	373275 CONNECTING ROD	1
34	373237 BACK COVER	1
35	998485 HEX.SOCKET HD.BOLTM5X14 (W/FLANGE)	7
36	373252 BELLOWS	1
37	NAME PLATE	1
38	310111 BEARING BUSH (B)	1
39	333263 DUST SEAL	1
40	373234 HOOD	1
41	373276 HOUSING ASS'Y	1
42	945161 BRUSH CAP	2
44	958900 BRUSH HOLDER	2
45	938477 HEX.SOCKET SET SCREW M5X8	2
46	373239 TAIL COVER	1
47	373248 PLATE	1
49	373263 SEAL LOCK BUTTON BOLT M5	2
50	991711 DISTANCE PIECE (B)	2
51	373242 HANDLE (A)	1

nÂ°	Artikel	Aantal gebruikt
52	373231 TRANSATORY UNIT	1
53	310124 HANDLE DAMPER	4
54	938307 PILLAR TERMINAL	1
55	317492 SUPPORT (B)	1
56	374463 NOISE SUPPRESSOR (V)	1
57	961419Z TERMINAL	1
58	959141 CONNECTOR 50092 (10 PCS) (OLD 939558)	1
59	981974 INTERNAL WIRE	1
60	371171 SWITCH NEW	1
61	373241 TRIGGER	1
62	949890 PIN D3X20 (10 PCS)	1
63	374462 CUSHION RUBBER	2
65	984750 TAPPING SCREW (W/FLANGE) D4X16	2
66	960266 CORD CLIP	1
69	373243 HANDLE (B)	1
70	301653 TAPPING SCREW (W/FLANGE) D4X20 (BLACK)	2
71	331247 HANDLE BOLT	1
72	373245 BAND	1
73	BRAND LABEL	2
74	330209 SIDE HANDLE	1
75	373244 MOUNT	1
76	373289 CYLINDER CRANK CASE ASS'Y	1
77	322494 SEAL LOCK HEX. SOCKET HD. BOLT M6X40 NEW	4
78	374474 CRANK COVER	1
79	373250 O-RING (I.D 53.9)	1
80	373246 CRANK SHAFT	1
81	948391 RETAINING RING FOR D40 HOLE	1
82	6203DD BALL BEARING 6203DDUCMAV2S	1
83	996363 O-RING (S-40)	1
84	310119 OIL SEAL 12Z 25X35X7	1
85	373254 DISTANCE RING	1
86	995396 VALVE	1
87	338313 CAP SCREW NEW	1
88	374461 FELT	1
89	373255 FIRST GEAR	1
90	373278 NEEDLE BEARING	1
91	373271 GEAR COVER ASS'Y	1
92	6201DD BALL BEARING 6201DDUCMAV2S	1

nÂ°	Artikel	Aantal gebruikt
93	302429 DUST WASHER (B)	1
94	374464 FAN	1
96	373238 FAN GUIDE	1
97	953121 HEX.HD. TAPPING SCREW D5X50	2
99	930703 BRUSH TERMINAL	2
100	980063 TERMINAL	1
101	982631 WASHER (A)	1
102	608VVM BALL BEARING 608VVC2PS2L	1
501	313471 BULL POINT (SDS MAX) 280L	1
502	373405 CASE	1
601	981840 GREASE (FG-6A) (30G)	1
602	308471 GREASE FOR HAMMER DRILL (70G)	1
603	980927 GREASE FOR IMPACT DRILL (FG-6A) (500G)	1
604	313472 BULL POINT (SDS MAX) 400L	1
605	313473 COLD CHISEL (SDS MAX) 280MM	1
606	313474 COLD CHISEL (SDS MAX) 400MM	1
607	313475 CUTTER (SDS MAX) W50X400L	1
608	313476 SCOOP (SDS MAX) 400L	1
609	313477 BUSHING TOOL (SDS MAX)	1
610	313478 RAMMER (SDS MAX) 150MMX150MM	1
611	313479 SHANK (SDS MAX)FOR RAMMER,BUSHING TOOL	1



Rev.1