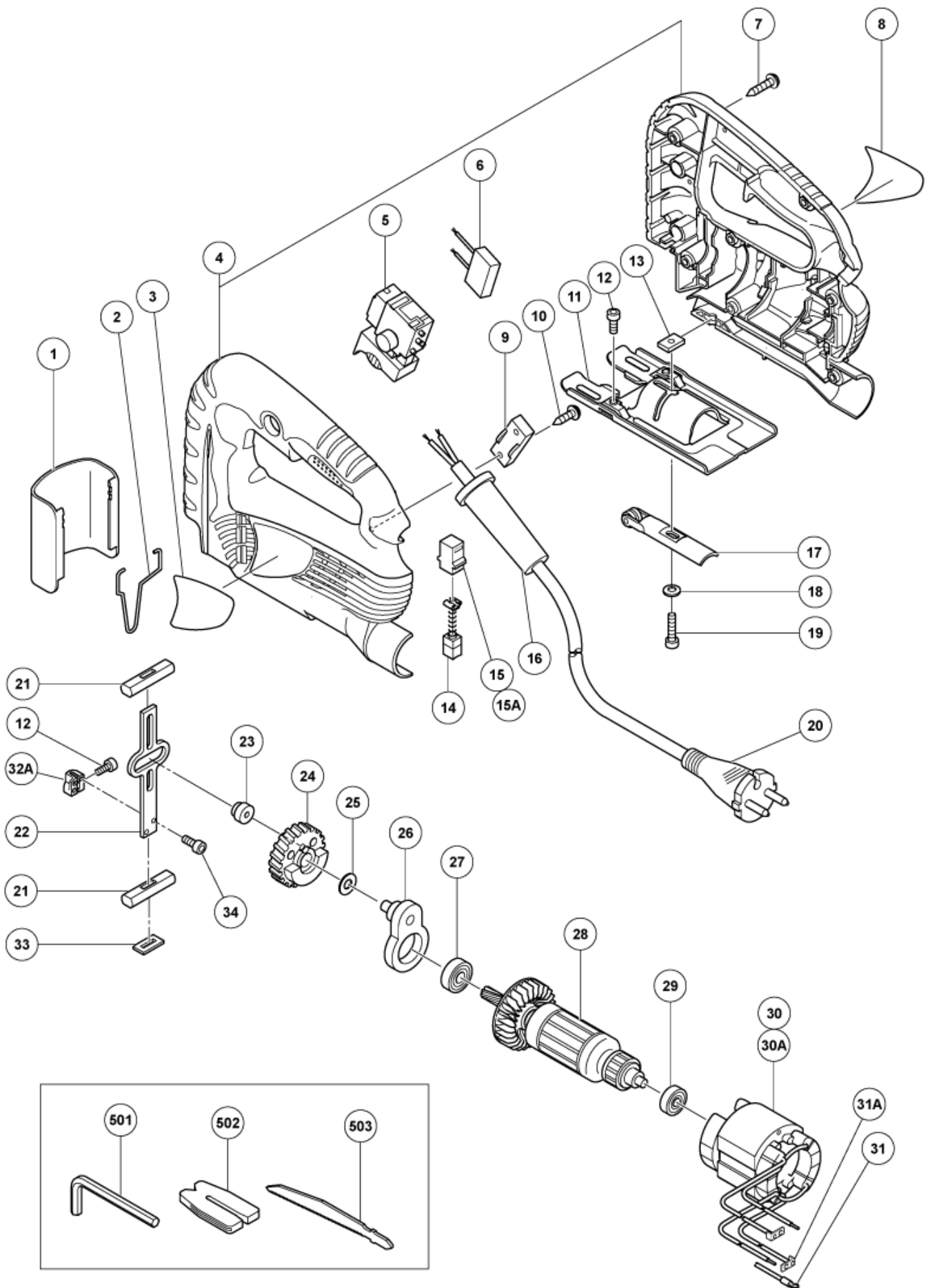


nÂ°	Artikel	Aantal gebruikt
1	325163 CHIP COVER	1
2	325164 GUARD BAR	1
4	325167 HOUSING SET (A+B)	1
6	930039 NOISE SUPPRESSOR	1
7	301653 TAPPING SCREW (W/FLANGE) D4X20 (BLACK)	7
9	960266 CORD CLIP	1
11	325161 BASE	1
12	949811 HEX.SOCKET HD.BOLT M4X8 (10 PCS)	2
13	962991 PLATE NUT	1
14	999041 CARBON BRUSH (1 PAIR)	2
15A	955203 BRUSH HOLDER	2
15	930483 BRUSH HOLDER	2
16	930026 CORD ARMOR D10.2	1
16	930487 CORD ARMOR D8.2	1
17	325162 ROLLER HOLDER	1
18	949429 BOLT WASHER M4 (10 PCS.)	1
19	949754 HEX.SOCKET HD.BOLT M4X16 (10 PCS)	1
20	500447Z CORD 2,5M 2 X 1.0 H05VV-F (OLD 500395Z)	1
21	325159 PLUNGER HOLDER	2
22	325246 PLUNGER	1
23	325158 CONNECTING PIECE	1
24	325157 GEAR	1
25	991733 WASHER	1
26	325155 HOLDER	1
27	608VVM BALL BEARING 608VVC2PS2L	1
28	360724E ARMATURE 220-230 VOLT	1
29	626VVM BALL BEARING 626VVMC2ERPS2S	1
30	340631E STATOR ASS'Y 220-230 VOLT	1
30A	340669E STATOR ASS'Y 220-230 VOLT	1
31	960356 TERMINAL (A) M3.5 (10 PCS)	2
32A	325247 BLADE HOLDER	1
33	325248 FELT	1
34	325241 SEAL LOCK HEX. SOCKET HD. BOLT M3X8	2
501	943277 HEX. BAR WRENCH 3MM	1
502	305810 TABLE INSERT	1
608	879391 GUIDE FOR JIG SAW	1



形名
FCJ65V3

Rev.3