

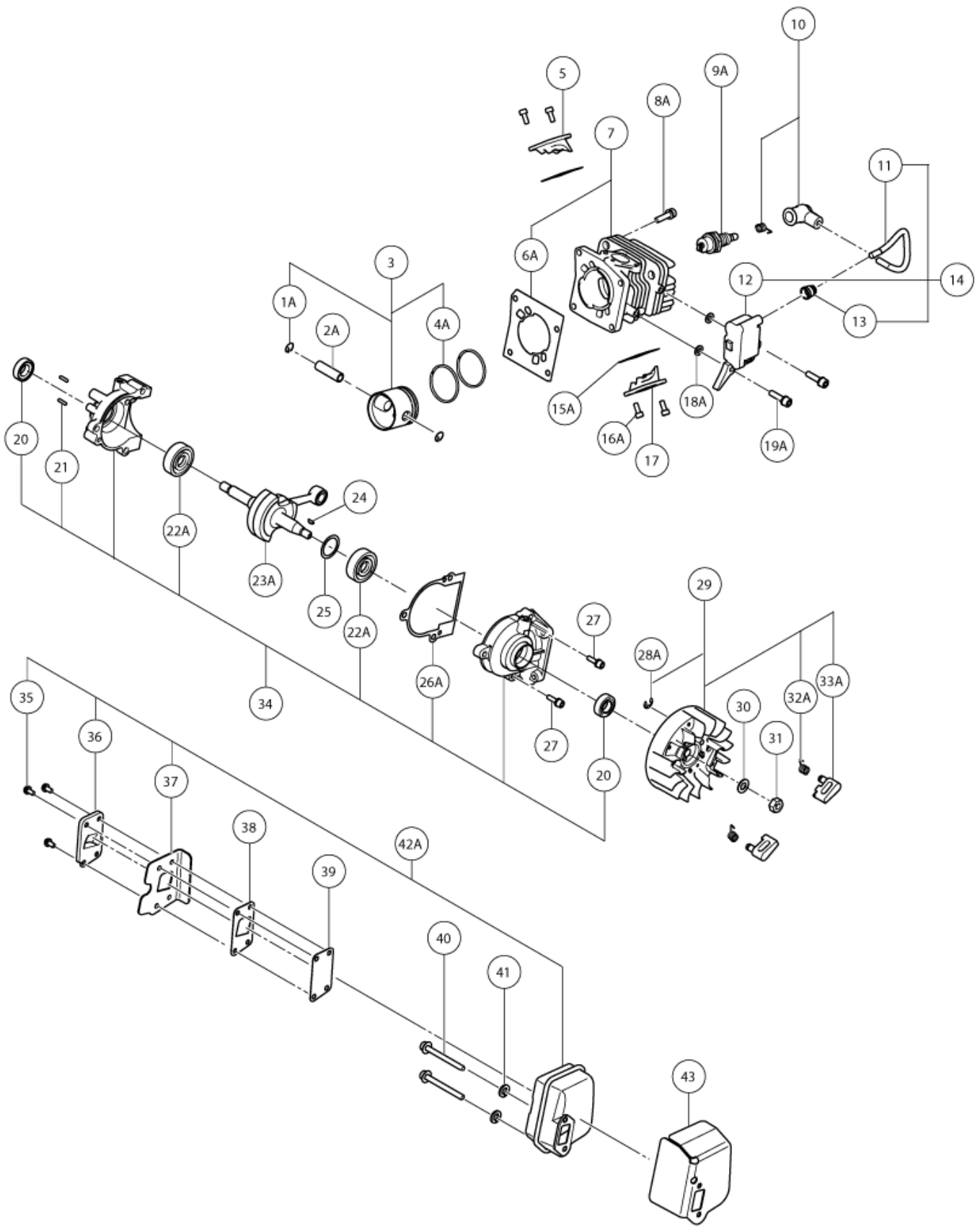
nÂ°	Artikel	Aantal gebruikt
*501A	6685401 CHAIN COVER 12"	1
*501A	6685439 CHAIN COVER 14"	1
1A	6685326 CIR CLIP	2
2A	6696764 PISTON PIN (OLD 6685079)	1
3	6685080 PISTON SET (OLD 030-5631M-90)	1
4A	6685331 PISTON RING (XR1-1856) (OLD 6685081)	2
6A	6698697 CYLINDER PACKING	1
7	6685084 CYLINDER SET (OLD 001-56300-90)	1
9A	6699317 SPARK PLUG BPM6A (OLD 6685085)	1
9A	6699319 SPARK PLUG BPMR6A (OLD 6685086)	1
10	6685087 SPARK PLUG CAP ASS'Y (OLD 157-56300-90)	1
11	6685088 HIGH VOLTAGE CORD (OLD 178-20560-20)	1
12	6685089 IGNITION COIL COMP. (OLD 167-20555-80)	1
13	6684602 RUBBER CAP (OLD 560-20517-20)	1
14	6685091 IGNITION COIL ASS'Y (OLD 167-20560-90)	1
15A	6698698 COVER PACKING (A) (OLD 052-56300-21/6685092)	2
16A	949812 HEX. SOCKET HD. BOLT M4X10 (10 PCS.)	4
18A	6698700	2
19A	6698388 HEX. SOCKET HD. BOLT M4X18 (W/WASHERS)	2
20	6684607 OIL SEAL TB 12227 (OLD 999-66122-200/6695624)	2
22A	6685328 BALL BEARING	2
23A	6698693 CRANK SHAFT	1
24	6684899 WOODRUFF KEY 3X13X4.5 (OLD 068-10100-20)	1
25	6685099 SHIM S T0.3 (OLD 071-04063-24)	1
25	6685098 SHIM S T0.2 (OLD 071-04063-23)	1
28A	6685336 RETAINING RING D4	2
29	6685102 MAGNETO ROTOR ASS'Y (OLD 155-20544-90)	1
30	6685103 BOLT WASHER M7 (OLD 992-01070-011)	1
31	6685104 FLYWHEEL NUT (OLD 066-00000-20)	1
32A	6685335 STARTER PAWL SPRING	2
33A	6685334 STARTER PAWL	2
34	6685107 CRANK CASE ASS'Y (OLD 072-56300-90)	1
35	986662 MACHINE SCREW (W/WASHERS) M4X10 (OLD 994-16040-101)	4
35	6685109 MACHINE SCREW (W/SP. WASHER) M4X8 (OLD 994-34040-081) NEW NO	4
36	6685110 EXHAUST PIPE (OLD 734-56300-20)	1
37	6685111 MUFFLER SPECIAL PACKING (OLD 751-56300-20)	1
38	6685112 GAUZE FIXING PLATE (OLD 745-56300-20)	1
39	6685113 MUFFLER GAUZE (OLD 732-56300-20)	1

nÂ°	Artikel	Aantal gebruikt
42	6685115 MUFFLER COMP. (OLD 706-56300-81)	1
42A	6697102 MUFFLER ASS'Y (OLD 705-56301-90/6685116) NEW	1
43	6685117 MUFFLER PACKING (OLD 737-56300-20)	1
71	6685119 BRAKE SUPPORT PLATE COMP. (OLD 386-32901-80)	1
72	6685120 COLLAR (OLD 031-32901-20)	1
73A	6685388 BRAKE LINK ASS'Y	1
74A	6696783 BRAKE LEVER SPRING	1
75	6685123 BRAKE HANDLE (OLD 365-72930-80)	1
77	6685126 BRAKE LINK COVER (OLD 375-72930-20)	1
78	6685127 OIL ADJUST GROMMET (OLD 488-72930-20)	1
79	6685128 OIL PUMP ADJUSTER (OLD 501-72000-20)	1
80	6685129 ADJUSTER SPRING (OLD 502-72000-20)	1
81	6685070 BOLT WASHER M4 (OLD 992-01040-011)	1
82A	6685130 OIL PUMP ADJUST CAP (OLD 503-72000-20)	1
83	6685131 PUMP GEAR SPRING (OLD 099-72000-20)	1
84	6685132 PUMP GEAR COMP. (OLD 085-72000-80)	1
85	6685133 MACHINE SCREW M3X8 (OLD 990-11030-081)	1
86	6685134 OIL PUMP CASE COMP.	1
87A	6685135 OIL PUMP CASE ASS'Y (OLD 088-72000-90)	1
88	6685136 SEAL LOCK BOLT M5X15 (OLD 990-54050-155)	5
89A	6698699 PROTECTIVE COIL	1
90	6685138 FUEL PIPE 2.5X4X42 (OLD 700-02504-042/6698850)	1
91	6685139 PRIMING PUMP COMP.	1
92	6685140 BRAKE BAND (OLD 378-32900-20)	1
93A	6685391 NEEDLE ROLLER D3	1
95A	6685361 NEEDLE BEARING (D)	1
96A	6685403 CLUTCH HOUSING	1
97A	6685414 CLUTCH WASHER	1
98A	6685360 CRANK SHAFT COLLAR	1
99	6685147 OIL PUMP COVER (OLD 097-72930-20)	1
100	6685148 TAPPING SCREW D4X15 (OLD 993-41040-151)	3
101	6685149 MACHINESCREW(W/SP. WASHER) M4X14 (OLD 994-14040-141)	2
102	6685150 OIL PIPE (A) (OLD 515-72000-20)	1
103	6685151 SCREW GEAR (OLD 084-72000-20)	1
106	6685154 FUEL PIPE (OLD 700-07105-02)	1
107	6685155 CHAIN CATCHER (OLD 125-32710-20)	1
108	6685156 AIR VENT SPONGE	1
109A	6696784 GUIDE PLATE (B) (OLD 6685157)	1

nÂ°	Artikel	Aantal gebruikt
110	6685158 TAPPING SCREW D3X8 (OLD 993-11030-801)	1
111	6685294 CHAIN BAR 12" x 3/8" x 1.3 MM (.050") (OLD 109-32770-20/6695)	1
111	6685295 CHAIN BAR 14" x 3/8" x 1.3 MM (.050") (OLD 108-72910-20/6695)	1
113A	6698692 GUIDE PLATE (A) (OLD 6685162)	1
115	6685165 SIDE COVER COMP. (OLD 039-72930-80)	1
116A	6685416 CHAIN BAR CLAMP NUT	2
117A	6685389 BRAKE SPRING (OLD 6685167)	1
118	6685168 GEAR (A) (OLD 301-72000-20)	1
121	6685161 TAPPING SCREW D4X10 (OLD 993-41040-101)	1
123	6685173 AIR VENT VALVE (B) (OLD 562-04060-20)	1
124	6685174 ENGINE CASE ASS'Y (OLD 560-72930-90)	1
125A	6685175 INNER CAP SET (OLD 629-01750-90)	1
129	6685179 TANK CAP PACKING	1
130	6685180 TANK CAP ASS'Y (OLD 635-72001-90)	1
131	6684679 SET SCREW (OLD 839-03045-20)	1
132	6685182 CAM PLATE (OLD 759-0174M-20)	1
133	6685183 DAMPER SPRING (OLD 758-01761-20)	1
134	6685184 STARTER PULLEY (OLD 774-01761-20)	1
135	6685185 SPRING CASE ASS'Y (OLD 778-01761-90)	1
136	6685186 ROPE (OLD 783-01761-20)	1
138	6685188 STARTER HANDLE (OLD 785-01761-20)	1
139	6685189 PLATE (OLD 795-04063-20)	1
140	6685190 RECOIL STARTER ASS'Y (OLD 756-56300-90)	1
141	6685191 TAPPING SCREW D4.5X20 (OLD 990-72045-204)	4
161	6685194 ENGINE CASE COVER (OLD 563-72930-20)	1
164	6685196 PIPE JOINT (OLD 497-32970-20)	1
165	6685197 SHIELD TUBE ASS'Y (OLD 223-72930-90)	1
167	6685199 PUMP FILTER BODY ASS'Y (OLD 675-11600-90/6692275/6692278)	1
168	6685200 FUEL PIPE 2.5X4X260 (OLD 700-02504-260)	1
170	6685201 CLEANER BODY COMP. (OLD 155-72930-80)	1
171	6685202 INLET MANIFOLD SPACER (OLD 400-32970-20)	1
172A	6698792 HEX. HOLE BOLT M4	2
173	6685203 PULSE GUIDE (OLD 431-32970-20)	1
174	6685204 INTAKE COMP. (OLD 391-56300-80)	1
175	6685205 INTAKE PACKING (OLD 403-56300-20)	1
176	6685206 CHOKE LEVER (OLD 495-56300-20)	1
176	6698349 CHOKE LEVER (GREEN) NEW	1
178	6685208 CARBURETOR ASS'Y WT-940 (OLD 455-25344-90)	1

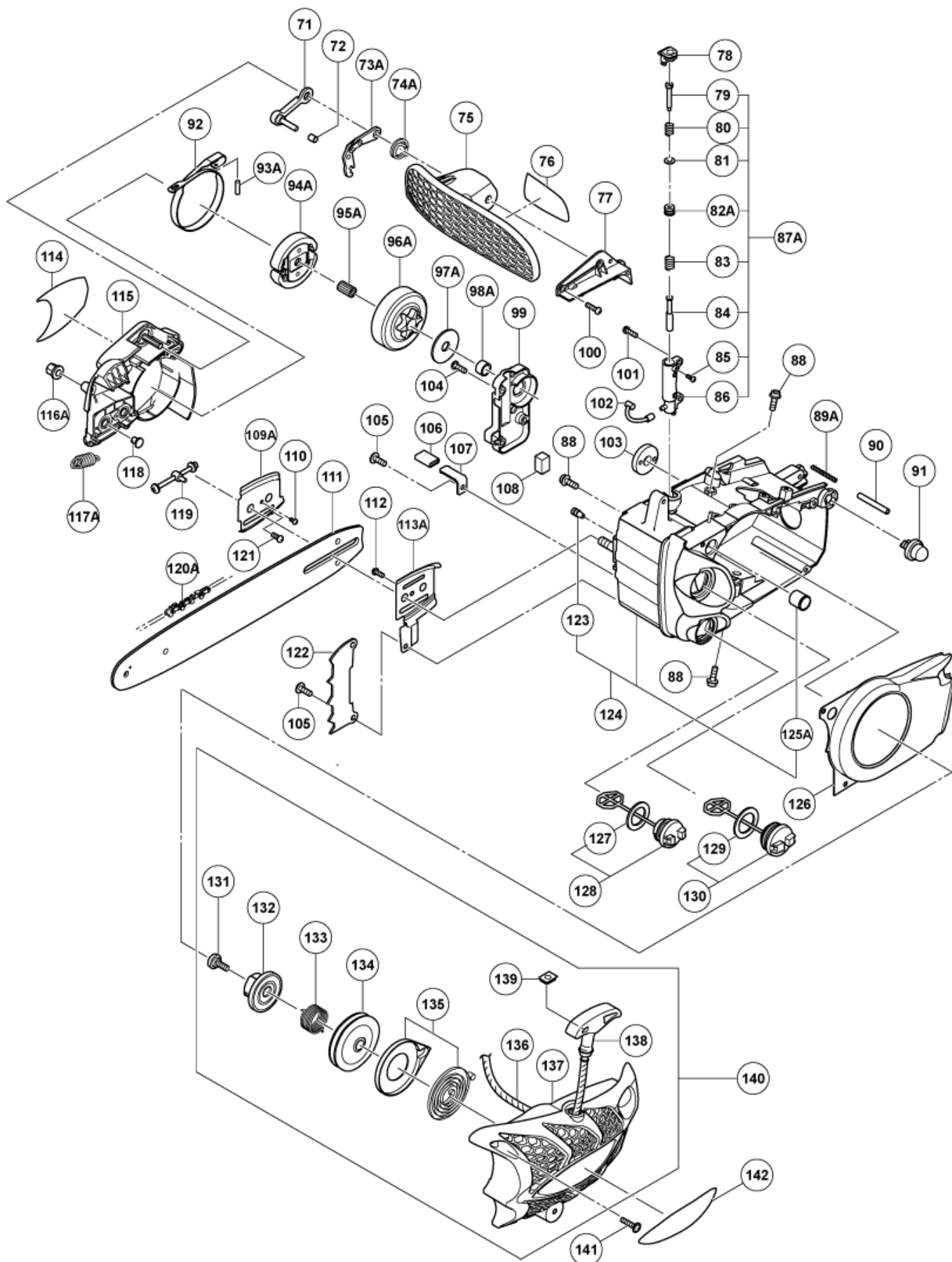
nÂ°	Artikel	Aantal gebruikt
178	6685209 CARBURETOR ASS'Y WT-949 FOR AUS & RUS (OLD 455-25347-90)	1
179	6685210 SCREW (OLD 514-25001-20)	1
180	6685211 PUMP BODY (OLD 575-25028-20/6696844)	1
181	6685212 PUMP GASKET	1
182	6685213 PUMP DIAPHRAGM	1
183	6684700 INLET SCREEN	1
184	6685215 NEEDLE VALVE	1
185	6685216 VALVE SPRING (OLD 477-25343-20)	1
186	6685217 CONTROL LEVER (OLD 473-25001-20)	1
187	6685218 HINGE PIN SET SCREW (OLD 546-25001-20)	1
188	6685219 HINGE PIN (OLD 605-25001-20)	1
189	6685220 DIAPHRAGM PACKING-METERING	1
190	6684690 METERING DIAPHRAGM	1
191	6685222 DIAPHRAGM COVER-METERING	1
192	6685223 SET SCREW	4
193	6685224 IDLE SPONGE (OLD 191-32970-20)	1
194	6685225 AIR CLEANER BASE (OLD 436-56300-20)	1
195	6685226 WASHER M5 (BLACK) (OLD 992-00050-061)	2
196	6685114 HEX. SOCKET HD. BOLT M5X50 (OLD 990-51050-503)	2
197	6685227 CLEANER COVER (OLD 051-72930-20)	1
198	6685228 CLEANER KNOB (OLD 175-72000-20)	1
199	6685229 CLEANER SPONGE (B) (OLD 470-72930-20)	1
200	6685230 CLEANER ELEMENT A COMP. (OLD 444-56300-80)	1
201	6685231 CLEANER ELEMENT B COMP. (OLD 445-56300-80)	1
202	6685232 CLEANER SPONGE (A) (OLD 446-72930-20)	1
203	6685233 TAPPING SCREW D5X45 (OLD 990-73050-454)	3
204A	6696799 WASHER 1.0 (OLD 6685234)	3
205A	6696800 COLLAR 28.2 (OLD 6685235)	3
206	6685236 BUMPER COMP. (OLD 244-72930-80)	3
207	6685153 TAPPING SCREW D4.5X14 (OLD 990-73045-144)	3
208A	6698695 HOOK HOLDER PLATE NEW	1
209A	6698696 HOOK NEW	1
210	6685239 STOP SWITCH (OLD 170-04063-80)	1
211	6685240 REAR HANDLE (B) COMP. (OLD 011-72930-80)	1
212	6685241 THROTTLE WIRE COMP. (OLD 885-56300-80)	1
213	6685242 THROTTLE LEVER (OLD 060-72930-20)	1
213	6698346 THROTTLE LEVER (GREEN) NEW	1
214A	6698691 THROTTLE LEVER SPRING	1

nÂ°	Artikel	Aantal gebruikt
215	6698347 TRIGGER LOCK OUT (GREEN) NEW	1
215	6685244 TRIGGER LOCKOUT (OLD 257-72930-20)	1
216	6685152 TAPPING SCREW D4.5X14 (OLD 990-75045-144)	3
217	6685245 MUFFLER COVER (OLD 737-72933-20)	1
218A	6696806 PROTECTIVE COIL (A) (NEW 6685246)	1
219	6685247 SHIELD TUBE ASS'Y (OLD 223-06500-90)	1
220A	6685311 CLIP	1
221	6684661 WASHER M5 (OLD 992-01050-011/900603-00005)	2
222A	6685310 OIL FILTER BODY	1
223	6685249 OIL FILTER BODY ASS'Y (OLD 486-32710-90)	1
224	6685250 TAPPING SCREW D4X15 (OLD 993-41040-152)	3
225	6685251 CORD 325MM (OLD 178-56301-80)	1
226	6685252 CORD 180MM (OLD 274-01750-80)	1
227	6685253 REAR HANDLE (A) COMP. (OLD 010-72930-80)	1
228	6685074 TAPPING SCREW D5X16 (OLD 990-73050-164)	2
229	6685254 FRONT HANDLE (OLD 209-72930-20)	1
230	6685297 IDLE ADJUST SPRING (OLD 463-25006-20)	1
231	6685298 IDLE ADJUST SCREW (OLD 462-25016-20)	1
502A	6685402 COMBI BOX SPANNER	1



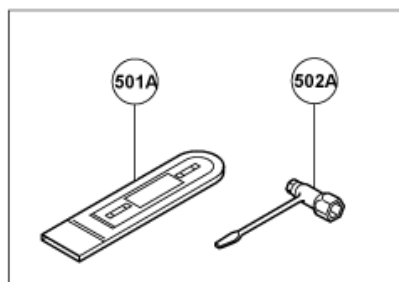
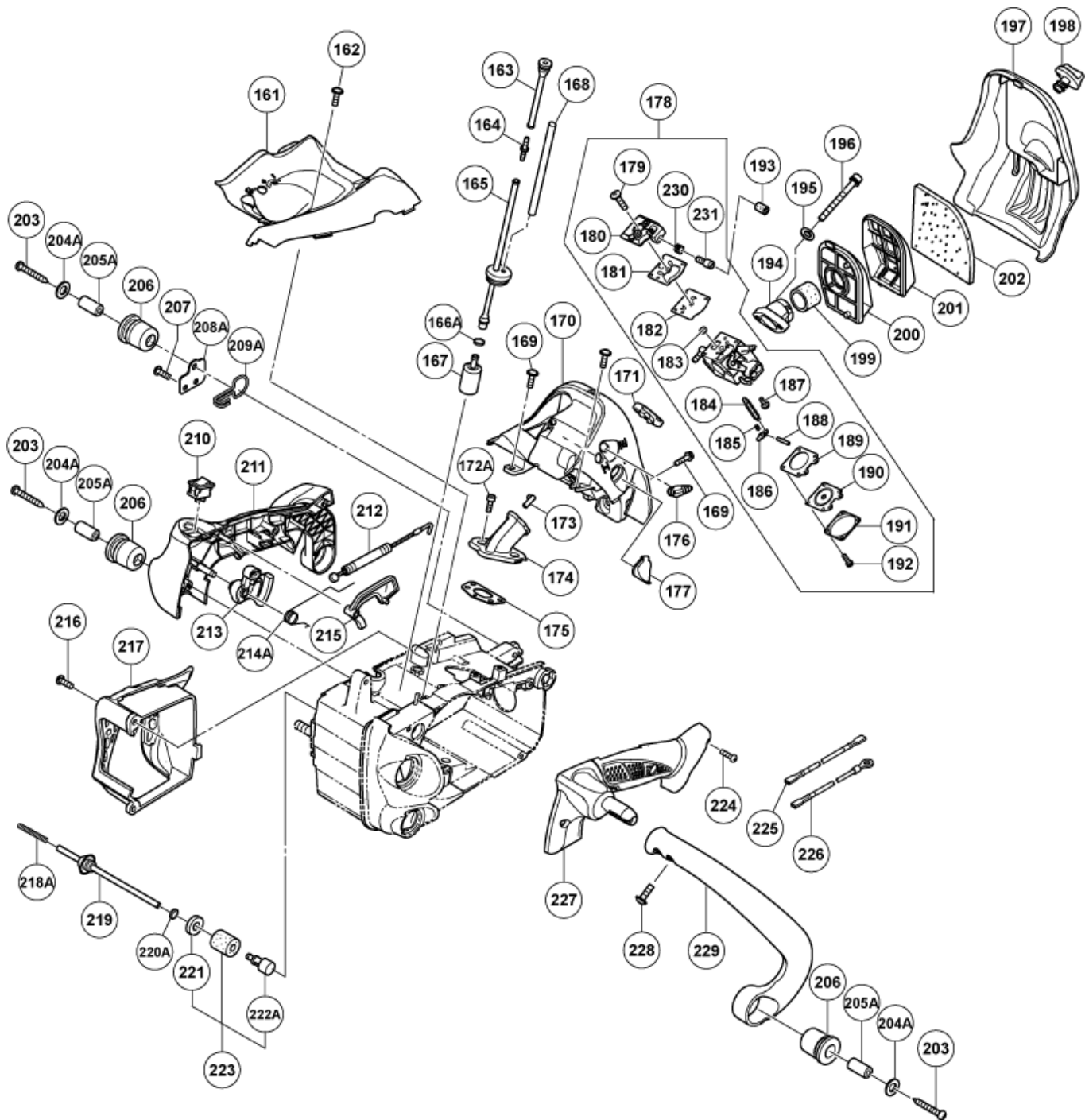
Rev.7

形名
CS33ET(1/3)



Rev.8

形名
CS33ET(2/3)



Rev.6

形名
CS33ET(3/3)